



# MYFLO Fan Units

## Installation, Operation and Maintenance Manual

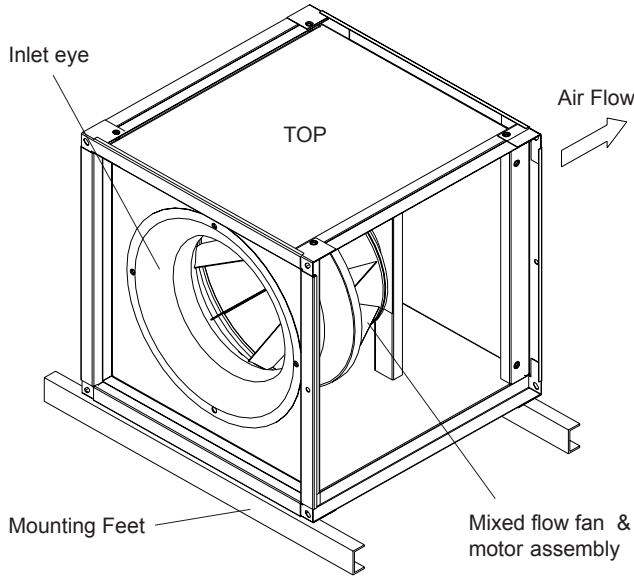


Fig.1 MYFLO unit with side panel removed

number and the unit type as found on the unit nameplate. After this period we will be unable to accept any claim for damaged or missing goods.

### 3 Installation

The entire system must be considered for safety purposes and it is the responsibility of the installer to ensure that all of the equipment is installed in compliance with the manufacturer's recommendations, with due regard to the current HEALTH AND SAFETY AT WORK ACT and conforms to all relevant statutory regulations. Where a unit is installed so that a failure of components could result in injury to personnel, precautions should be taken to prevent such an injury.

#### IMPORTANT !

Only experienced fitters should attempt to undertake this work.

**IMPORTANT !**  
This manual must be read in full before Installation, Operation and Maintenance of the unit/s supplied

<b>Contents</b>		<b>Page</b>
1	Introduction	1
2	Receipt of Goods	1
3	Installation	1
4	Set-up	1
5	Wiring	2
6	Maintenance	3
7	Warranty	4
8	Declaration of Conformity	5

### 1 Introduction

The MYFLO is a range of duct mounted, direct driven mixed flow fans, with duties up to 3.6m<sup>3</sup>/s. The standard ambient operating temperature of the unit is -20 to +40°C.

For further technical details regarding dimensions and weights contact VES on **08702 404340**, quoting the sales order (SO) number and the unit type as found on the unit nameplate or visit [www.ves.co.uk](http://www.ves.co.uk).

### 2 Receipt of Goods

Immediately upon receipt of goods check for possible damage in transit paying particular attention to fan impeller. Prior to installation please check to ensure smooth rotation of the impeller after transit. Also check to ensure that any ancillary items are included. These will normally be supplied fitted or in the case of small items taped to the unit.

In the event of any damage having occurred or if any item is found missing, it is essential to inform VES Andover Ltd. within **7 working days** of delivery quoting sales order (SO)

When moving the unit, handle with care and in such a manner as to limit damaging the casework. Particular care must be taken when moving weather proof units, any damage to the external powder coat finish may reduce the ability to resist corrosion. Units are to be rigged and lifted using spreaders, taking into account the weight of the unit, lifting gear should be arranged so as not to bear on the casework.

For optimum unit performance, careful consideration must be paid to the location of the unit in relation to the ductwork and associated items; placing the unit directly adjacent to a bend in ductwork will impede airflow and reduce performance.

Note: where provided, flanges and spigots should not be used to support ductwork and used solely as a means of ductwork connection.

If supplied with feet and anti-vibration mounts the Myflo unit can be suspend from the ceiling using drop-rods, or bolted to the plant room floor.

It is the installer's responsibility to ensure that safe working access to the unit for maintenance is provided in line with Health and Safety and Building Regulations.

Consideration must also be given by the installer for adequate illumination of the unit's location in order for safe maintenance.

#### IMPORTANT !

Consideration should be given to the unit's location, this is especially important with external mounting as the wind and elements may effect the overall stability of the unit.

### 4 Set-up

Motor and electrical details must be checked prior to connection to electricity supply. All motor information can be found on the unit data sheet supplied attached to the unit. Always make sure the fan is rotating in the correct direction. Direction of flow is indicated on the unit, if unsure refer to *fig.2*.



# MYFLO Fan Units

Installation, Operation and Maintenance Manual

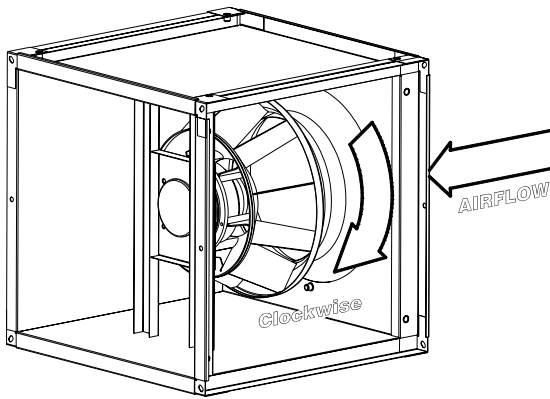


Fig.2 As viewed from the back of the impeller - correct rotation of impeller

As a final check, ensure that the impeller leaves an equidistant space around the inlet eye. See Fig. 3  
 If the impeller is out of line, slacken off the inlet eye bolts and re-adjust until the impeller rotates without interference. Re-tighten the inlet eye bolts

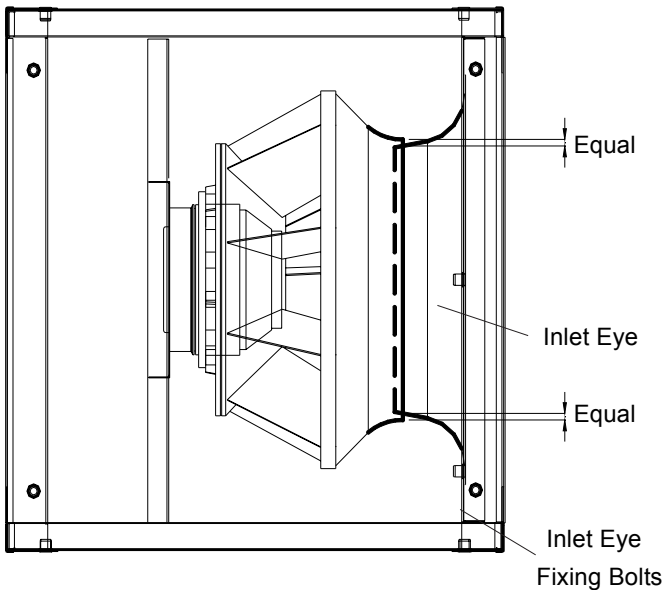


Fig.3 Fan Alignment

## 5 Wiring

The MYFLO units comprise of a single inlet mixed flow fan powered by a direct drive assembly.  
 All electrical connections to any unit must be carried out in accordance with the current edition of the I.E.E REGULATIONS and only competent electricians should be allowed to affect any electrical work to our units.

### IMPORTANT !

When fitted with an inverter for frequency control, ensure that screened cable is used and terminated correctly, and the inverter is fitted with sinusoidal filters to each phase.

### IMPORTANT !

Do not connect any unit to an electrical supply voltage outside of that indicated on the motor nameplate.  
 A local isolator must be fitted, and mains cables should be suitably sized (See motor plate for details) and terminated as shown on the appropriate wiring diagram (fig. 4 & 5).  
 It is essential that all electrical connections are properly made

### Standard motor wiring arrangement

Fig. 4 230V 1Ph 50Hz

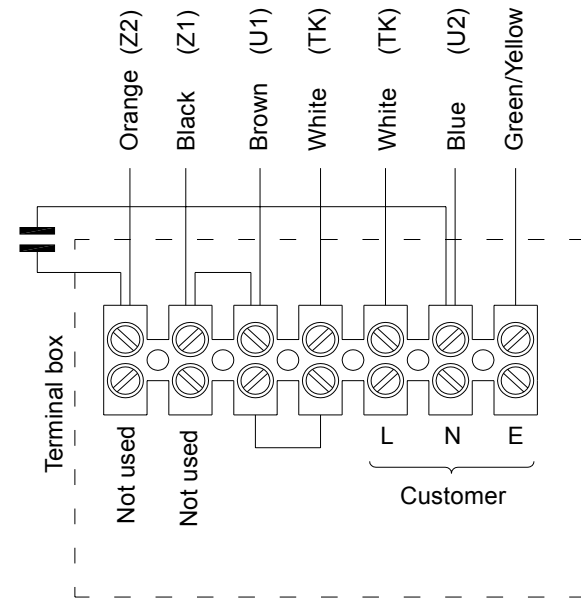
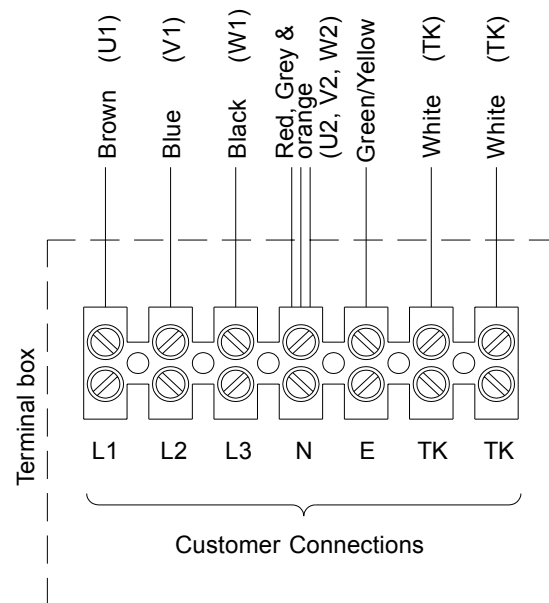


Fig. 5 400V 3Ph 50Hz



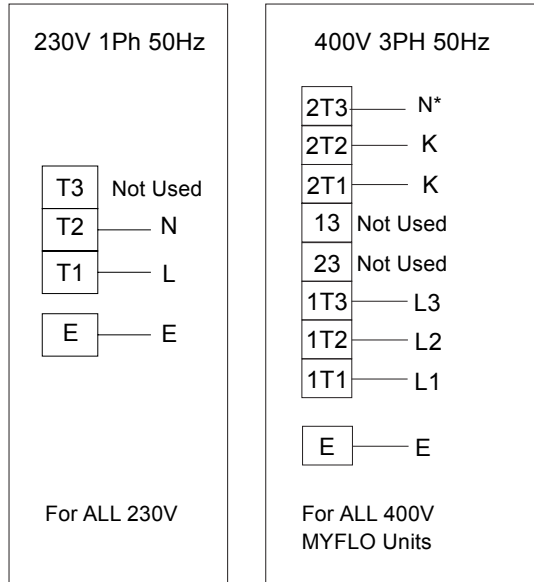


# MYFLO Fan Units

Installation, Operation and Maintenance Manual

## Standard motor wiring arrangement

Fig. 6 Customer connections to local isolator



**Note:** A trial connection of the three phase (3Ph) supply should be made to check that the fan rotates in the correct direction as indicated on the fan. See Fig.2. If the rotation is incorrect, interchange any two phases of the incoming supply at the terminal block.

**Important:** When used in conjunction with a speed controller refer to the appropriate controller wiring diagram

\*Neutral only required when used in conjunction with SC310 Speed Controller

## 6 Maintenance

### IMPORTANT !

Before attempting to carry out any maintenance work, investigative or repair work on our units, the unit **MUST BE COMPLETELY ISOLATED** from its electrical supply.

Ensure a minimum of two minutes after electrical disconnection before removing access panels. This will allow any moving parts to come to a rest

In general, this series of units require very little maintenance. All fan and motor bearings are supplied fully greased and lubricated and are sealed for life. In the unlikely event of component failure, spares are available from stock at VES Andover Ltd.

### IMPORTANT !

Before attempting to carry out any work on our units, all accompanying documentation including warning labels on the unit must be referenced.

### WARNING !

When used in conjunction with an Inverter for speed control, a minimum of 5 minutes should be given to allow for the capacitors to discharge before starting work after disconnection from the power source

### Recommended checks

This range of units will require regular maintenance if located in greasy air systems.

In order to keep the unit in good order the following maintenance routine is recommended:

### Three Monthly Check

Check for contaminants in the system, especially around the impeller and inlet eye. Remove any residue if necessary. It is common for debris, such as cleaning materials also to adhere to the impeller and these should be removed as required. Failure to keep the unit free of such contaminants could result in a reduction of performance or fans to become out of balance, leading to bearing failure.

Filters if fitted should be inspected every three months. If they are found to be heavily soiled or damaged in any way they should be replaced.


### Six Monthly Check

It is recommended that the unit's casework and fixings are checked for signs of deterioration, particularly where adverse environmental conditions prevail. Repair or replace components if necessary.

### IMPORTANT !

It is critical that after any maintenance work has been conducted that all components removed/replaced be refitted correctly by a competent engineer.

### WEEE Directive

 At the end of their useful life the packaging and product should be disposed of via a suitable recycling centre.  
Do not dispose of with normal household waste.  
Do not burn

When enquiring after or ordering spares contact VES Spares Department, quoting the sales order (SO) number and unit type as found on the unit nameplate.

**Telephone 08702 40 43 40**  
**Fax 08702 40 45 50**



**PLEASE ENSURE THAT THIS DOCUMENT IS PASSED ON TO THE END USER.**

We reserve the right to alter the specification without notice

©VES Andover Ltd. 2006

No part of this publication may be photocopied or otherwise reproduced without the prior permission in writing of VES Andover Ltd.



# MYFLO Fan Units

Installation, Operation and Maintenance Manual

## 7 Warranty

### **Extended Warranties**

All VES Andover Products come with a one year guarantee from date of dispatch, which covers parts and labour. You can now extend this with the following options:

#### Option 1.      **FREE extended Warranty**

We can offer you a maintenance agreement that keeps this equipment in tip-top condition. If you take out this agreement, we will extend the warranty **free of charge for up to 5 years**, providing the regular maintenance agreement remains in place.

#### Option 2.      **12-24 Month Extended Warranty**

12-24 months from the date of dispatch. This can be covered at a cost of just 3% of order value. (minimum charge £50.00).

#### Option 3.      **12-36 Month Extended Warranty**

12-36 months from date of dispatch. For this cover, the charge is 6% of order value (Minimum charge £80)

Please State which option you require when you place your order. A transferable certificate will then be issued to you. *Please note, this offer excludes condensing units. We would be happy to quote you for these separately.*

### **Register for separate spares reminders and get a 10% discount**

Register for this free service and we will automatically send you a regular reminder detailing the consumable spares for this unit, together with their current list prices.

**You will then be entitled to a 10% discount off any spares.**

To arrange any of these options.

or      **Phone:**      **023 8046 1150**  
**Email:**      **spares@ves.co.uk**

Stating the sales order and reference number from the unit.



# MYFLO Fan Units

Installation, Operation and Maintenance Manual



## Declaration of Conformity

Date: JULY 2006  
Product: Myflo  
Type: Mixed Flow Fan  
Manufacturer: VES Andover Limited

The product above is produced in accordance with EC Council Directives:

98/37/EC (Machinery Directive)  
89/336/EEC and amendment 92/31/EEC (Electromagnetic Compatibility Directive)  
73/223/EEC and amendment 93/68/EEC (Low Voltage Directive)

The European Harmonised Standards applied are:

BS EN ISO 12100, EN 294, EN61000, EN 60204-1

The National Standards applied in particular are :

BS 848 Part 1

Basis of Self attestation:

Quality Assurance to ISO 9001-2000, BSI Reg. Firm Cert. No. Q5375

Signature of Manufacturer:

Position of Signatory:

Technical Director