

Condensate trapping detail

Installation, Operation and Maintenance Manual

fig. 1 Drain pan

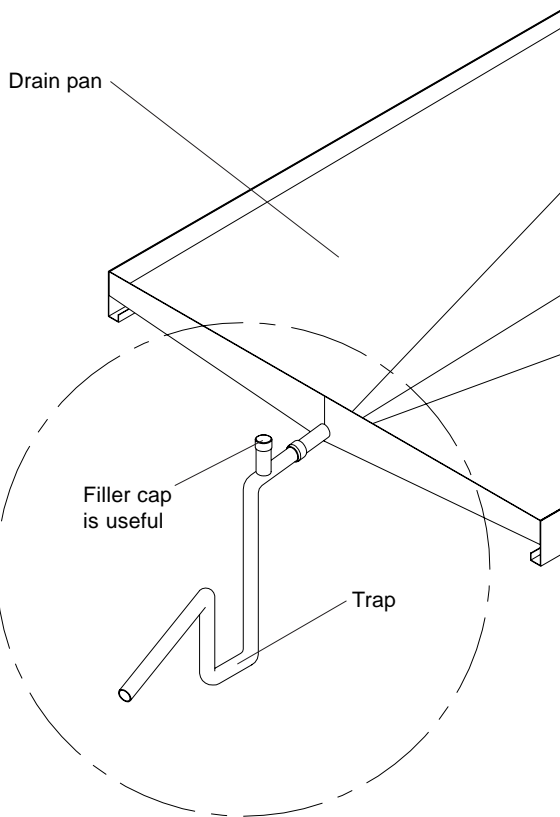


fig. 2 Negative pressure trapping detail

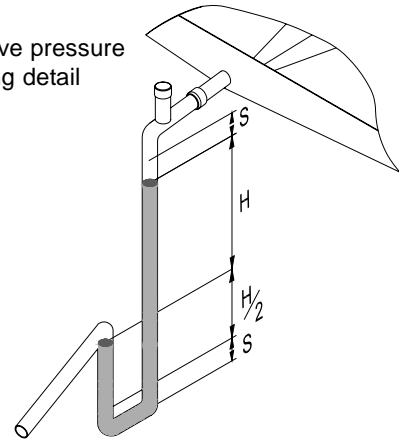
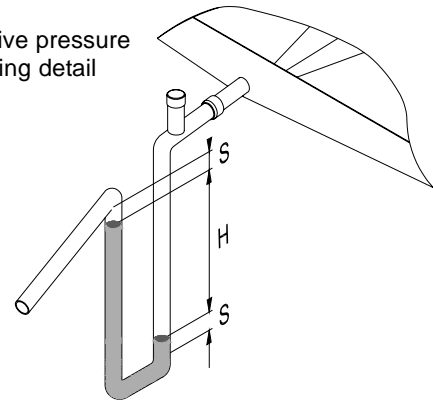


fig. 3 Positive pressure trapping detail



Note: Usually a negative pressure pan precedes the fan section, a positive pressure pan follows the fan section.

Diagrams show situation with fan operational.

Cooling coil condensate drainage:

A drain line of size not less than that provided on the unit itself should run from each drain connection sloped to ensure proper drainage.

Trapping

Correct trapping of condensate drain line is essential to prevent flooding or splashing back into drain pan

Drain to open tundish *fig. 1, 2 & 3*

DIM H = TOTAL STATIC PRESSURE mm Wg

DIM S = SAFETY ALLOWANCE 25mm

Example: If H = 250 Pa (25mm) + SAFETY ALLOWANCE (25mm) = 50mm

Installation

The water trap must be filled with water before the AHU is switched on. Run the discharge pipe from the water trap where it will not damage adjacent unit sections or building elements.

The fan in most AHUs is last in the chain of functions and causes negative pressure inside the unit, so it is very important to install the water trap correctly.

IMPORTANT



Failure to provide adequate depth of trap will cause flooding within AHU.

Maintenance

Ensure the trap does not dry out.

Check and clear the drain pan of any debris, ensuring the condensate can drain away freely.

Check the drain pan and drain connections for leaks, replacing fittings if required.

Check for corrosion, repair as necessary.

When enquiring after or ordering spares contact VES Customer Services Department, quoting the sales order (SO) number where appropriate.

Telephone

08702 40 43 40

Fax

08702 40 45 50



PLEASE ENSURE THAT THIS DOCUMENT IS PASSED ON TO THE END USER.

We reserve the right to alter the specification without notice